

ENGINEERED FOR  PROFESSIONALS™

SINGLE SHOT AIR GREASE GUN

PART NO: ST6636LT



TO PREVENT SERIOUS INJURY, READ AND UNDERSTAND ALL WARNINGS AND INSTRUCTIONS BEFORE USE.

OPERATING INSTRUCTIONS

FOLLOW THESE STEPS CAREFULLY BEFORE USING THIS GREASE GUN

INSTRUCTIONS

This pistol-style, single-shot operated Air Grease Gun is a specially designed, high quality and professional air tool, ideal for lubricating and maintenance of vehicles, agricultural machinery and industrial equipment etc.

CONTENTS

Air grease gun (tool body & container tube)

Rigid pipe

Flexible pipe

1/4" NITTO style plug

SPECIFICATIONS

Capacity Bulk Loading:	500g/500cc
Capacity Cartridge Loading:	450g/450cc
Size	L 410mm x Φ 57.5 mm
Net Weight	1.8 kg (3.96 lbs)
Air Inlet (PT)	1/4" (6.35 mm)
Air Hose (I.D.)	3/8" (10 mm)
Operating Pressure	2.8-6.9 bar (40-100psi)
Output Pressure	110-276 bar (1600-4000psi)
Average Air Consumption	33.67 L/min

FEATURES & BENEFITS

1. 3-Way Loading – bulk, filler pump or 450g cartridge
2. Bleeder valve for purging unwanted air
3. 4-Jaw coupler
4. Non-slip knurled cylinder for better grip
5. Includes rigid & flexible grease pipe

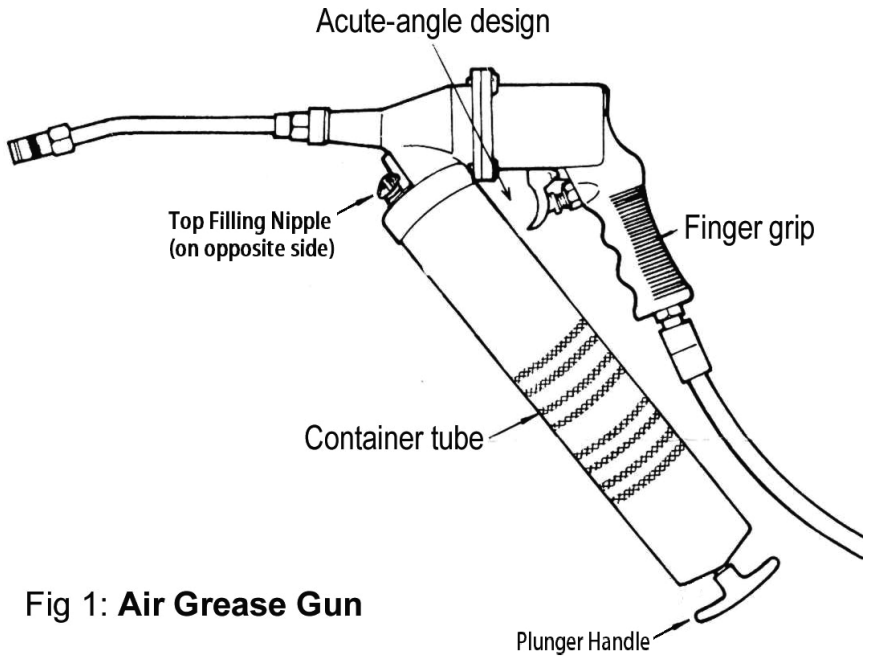


Fig 1: Air Grease Gun

INSTRUCTIONS FOR GREASE OIL LOADING

CARTRIDGE LOADING (FIG. 2)

- a. Turn the container tube counterclockwise to disassemble from the trigger body (See Fig. 5)
- b. Pull the plunger handle completely to the end of the container tube and move the rod into the end slot to hold it in the extended position. (See Fig. 6)
- c. Insert the open end of cartridge into container tube and push it in, remove the seal or pull the tab from the cartridge.
- d. Assemble the container tube back to the tool body, move the rod out from the slot to release it and push the plunger handle. (See Fig. 7)

FILLER PUMP LOADING (SEE FIG. 3)

- a. Pull the plunger handle completely to the end of the container tube and move the rod into the end side's slot to hold it. (See Fig. 6)
- b. Press the top filling nipple into the spout of the filler pump.
- c. Press the filler pump to fill the container tube with grease till it is full.
- d. Move the rod out from the slot to release it and push the plunger handle. (See Fig. 7)

BULK LOADING (SEE FIG. 4)

- a. Turn the container tube by counterclockwise to disassemble it form the tool body (See Fig. 5)
- b. Pull the plunger handle completely to the end of the container tube, and move the rod into the end side's slot to hold it. (See Fig. 6)
- c. Bulk fill grease into the container tube.
- d. Assemble the container tube back to the tool body, move the rod out from the slot to release it and push the plunger handle. (See Fig. 7)

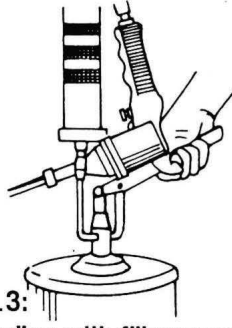


ATTENTION

Consistently using grease cartridges could deform the rubber plunger which may result in minor grease leakages if grease is bulk loaded into the container directly. The performance of the tool will not be affected.



Fig.2:Cartridge loading



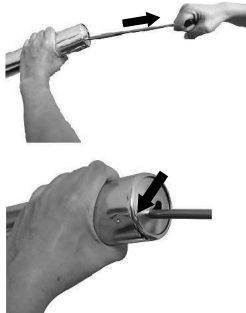
**Fig.3:
Loading with filler pump**



Fig.4:Bulk filling



**Fig.5: Disassemble the container
tube from the tool body**



**Fig.6: Pull the plunger handle
to the end and move the rod
into the slot**

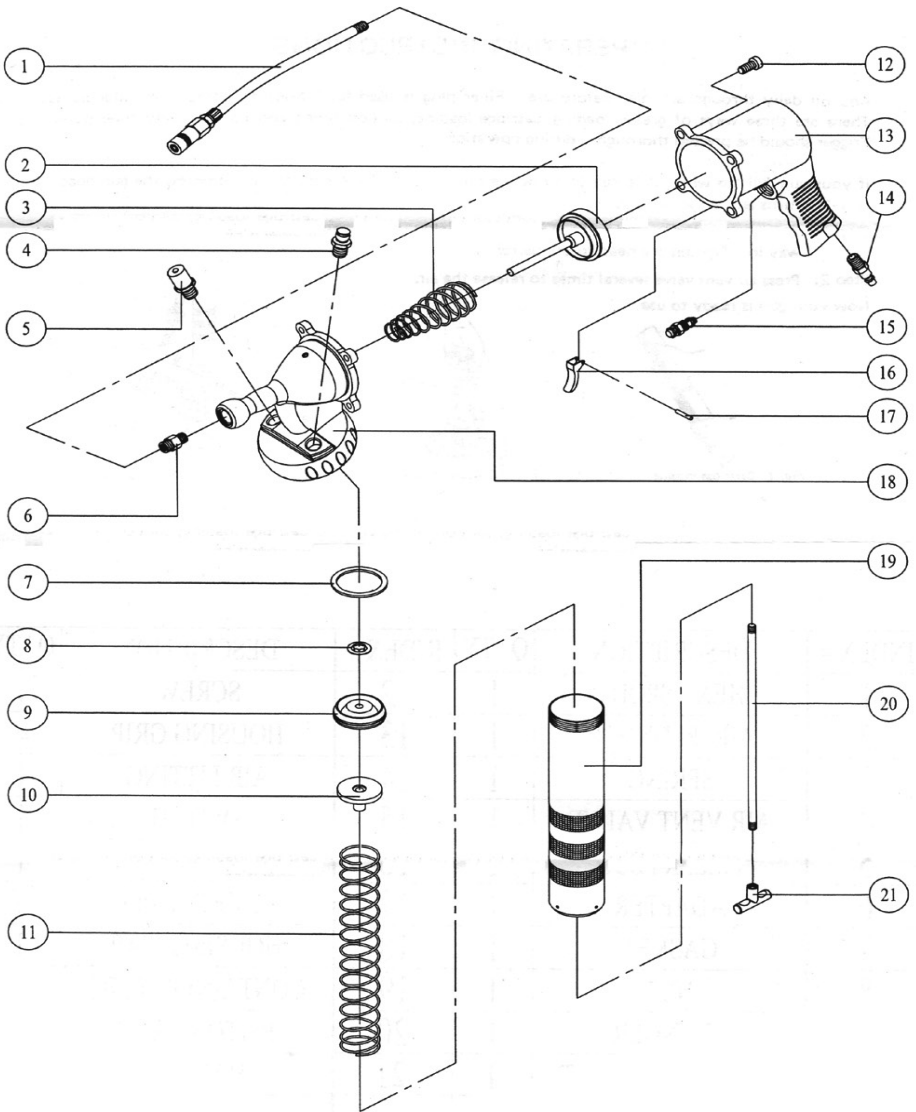


**Fig.7:Push the plunger
handle**

PARTS LIST

No.	Parts No.	Description	Q'ty
1	6636LA-01	Hex Spout	1
	6636LA-01A	9" Nylon Hose	1
2	6636LA-02	Air Plunger	1
3	6636LA-03	Spring	1
4	6636LA-04	Air Vent Valve	1
5	6636LA-05	Filler Plug	1
6	6636LA-06	Adapter	1
7	6636LA-07	Gasket	1
8	6636LA-08	Nut	1
9	6636LA-09	Plunger	1
10	6636LA-10	Plunger Gasket	1
11	6636LA-11	Spring	1
12	6636LA-12	Screw	4
13	6636LA-13	Housing Grip	1
14	6636LA-14	Air Fitting	1
15	6636LA-15	Switch	1
16	6636LA-16	Trigger	1
17	6636LA-17	Trigger Pin	1
18	6636LA-18	Housing Cap	1
19	6636LA-19	Container Tube	1
20	6636LA-20	Piston Rod	1
21	6636LA-21	Handle	1

EXPLODED DIAGRAM



1 year
guarantee 

WARRANTY INFORMATION

This warranty is provided by Total Tools (Importing) Pty Ltd of 20 Thackray Road, Port Melbourne VIC 3207. Phone: 03 9261 1900 (we, us, our).

Express Warranty

Subject to the exclusions set out below, we warrant that this product will be free from defects in materials or workmanship for 12 months from the date of purchase.

The benefits conferred by this warranty are in addition to all rights and remedies which you may be entitled to under the Australian Consumer Law, and any other statutory rights you may have under other applicable laws. This warranty does not exclude, restrict or modify any such rights or remedies.

Warranty exclusions

This express warranty does not apply where a defect or other issue with the product is caused by normal wear and tear, misuse or abuse of the product.

Consumer guarantees

Our goods come with guarantees that cannot be excluded under the Australian Consumer Law. You are entitled to a replacement or refund for a major failure and for compensation for any other reasonably foreseeable loss or damage.

You are also entitled to have the goods repaired or replaced if the goods fail to be of acceptable quality and the failure does not amount to a major failure.

Warranty claims

To make a claim under this warranty, you must bring the product along with the proof of purchase and any other documentary evidence which you think is relevant to the Total Tools' place of purchase where the claim will be handled on our behalf. Any cost incurred by you in bringing the product to the place of purchase will be borne by you.

To make a claim under this warranty, the product and proof of purchase must be returned to the Total Tools place of purchase during the warranty period specified above.

If your warranty claim is accepted, we (or the Total Tools store that handles the claim on our behalf) will, at our discretion, repair or replace the product, or refund money to you and take back the product.